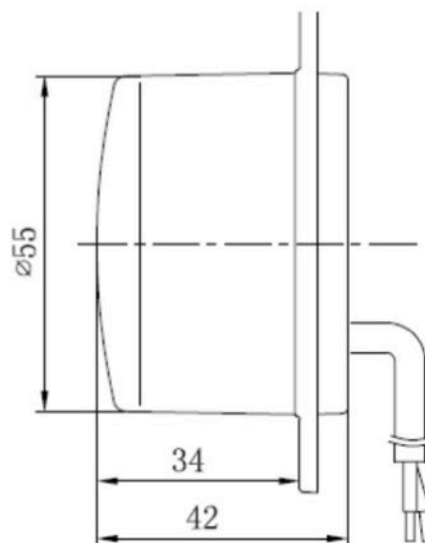
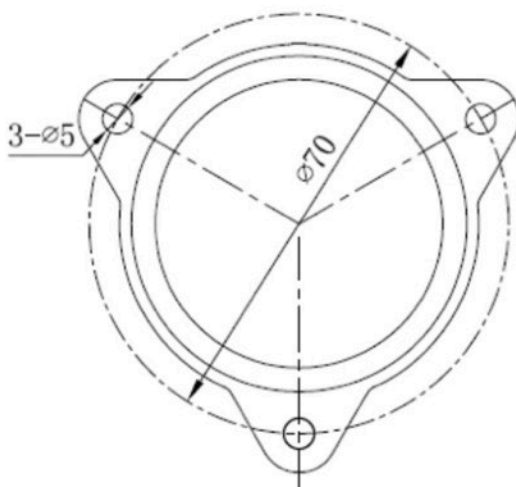


# FRONT DIRECTION INDICATOR LED - $\varnothing 55\text{mm}$

## SPECIFICATIONS:

- Voltage: 9-33V
- Functions: front direction indicator
- Installation: 3x screw
- Approvals: ECE, EMC, CE, RoHS
- Ingress protection (IP rating): IP67
- Operating temperature: from  $-40^{\circ}\text{C}$  to  $+65^{\circ}\text{C}$
- Connection: cable 250mm



PART NO.	VOLTAGE	FUNCTIONS	POWER / LEDs	APPROVALS	INSTALLATION	IP
EDF635504	9-33V	front direction indicator	0,5W / 2,0W 10xLED	ECE, EMC, CE, RoHS	3x screw	IP67