

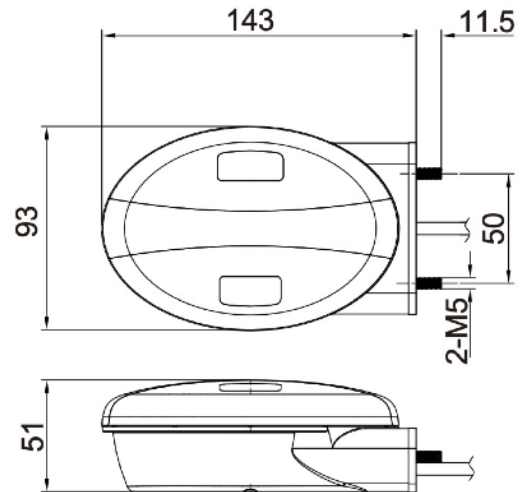
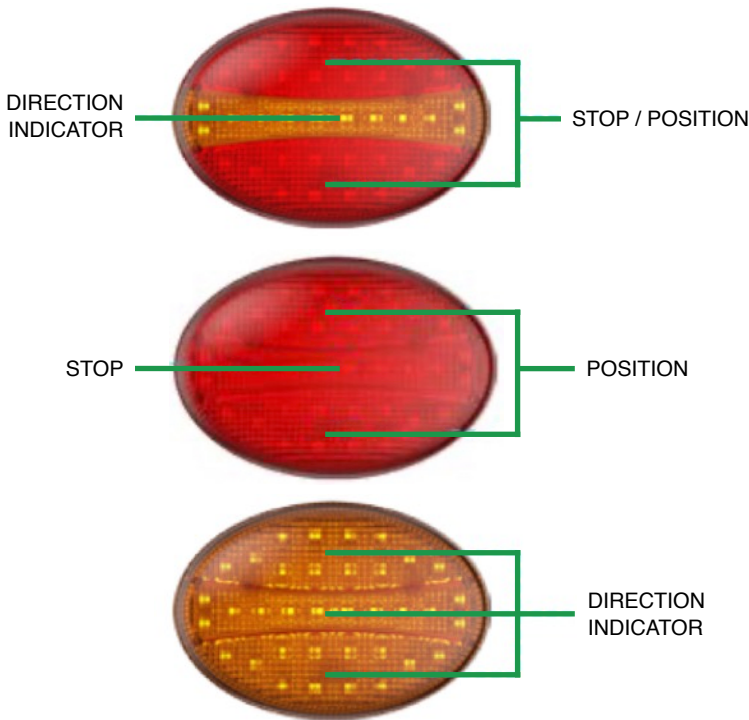
# OVAL SIGNAL LAMPS LED - side mount

## SPECIFICATIONS:

- Voltage: 12-24V
- Installation: side mount (2x screw M5)
- Approvals: ECE / EMC
- Warranty: 3 years
- Ingress protection (IP rating): IP69
- Operating temperature: from -40°C to +65°C
- Connection: cable 600mm



**EDF50164 - POSITION / INDICATOR**



PART NO.	FUNCTIONS	VOLTAGE	APPROVALS	INSTALLATIONS	CONNECTION
	stop rear position direction indicator	12-24V	ECE R148 ECE R10 CISPR 25 CLASS 3	side mount 2x screw M5	cable 600mm
EDF50164	front position direction indicator				
	stop rear position				
	direction indicator				
	reverse lamp				