

INTERIOR LAMP LED with touch switch

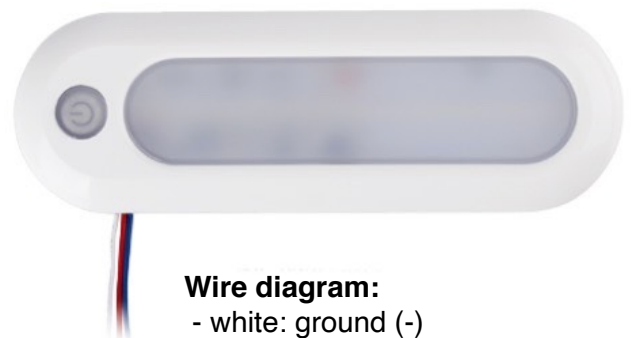
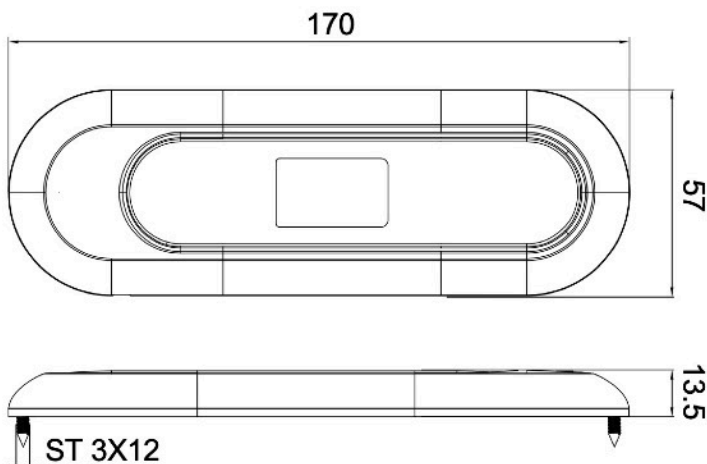
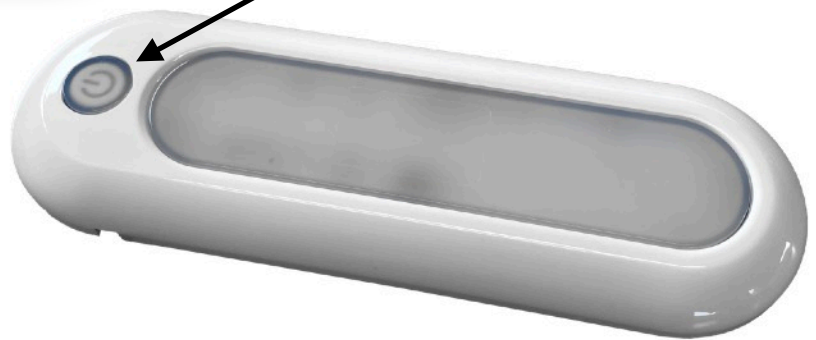
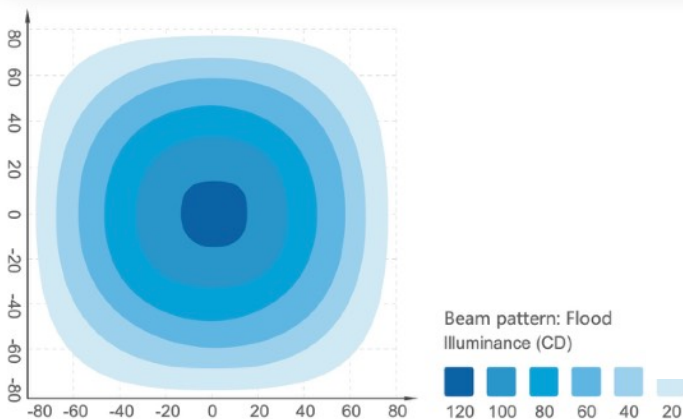
SPECIFICATIONS:

- Voltage: 10-30V
- Functions: interior lamp with door control
- Nominal power: 3W (24x LED) 6000K
- Consumption: 0,22A @ 13,5V
- ON/OFF control: touch switch
one blue wire for door control
- Installation: 2x screw
- Warranty: 3 years
- Approval: EMC R10
- Ingress protection (IP rating): IP67
- Operating temperature: from -40°C to +65°C
- Connection: cable 200mm



touch button

- touch for ON/OFF function



Wire diagram:

- white: ground (-)
- red: positive pole (+)
- blue: contact for door control

PART NO.	VOLTAGE	NOMINAL POWER	POWER CONSUMPTION	ON/OFF CONTROL	APPROVALS
EIE503473	10-30V	3W (24x LED)	0,22A @ 13,5V	touch button and contact for door control	ECE R10