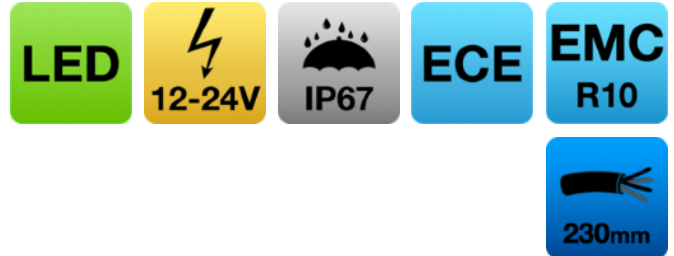


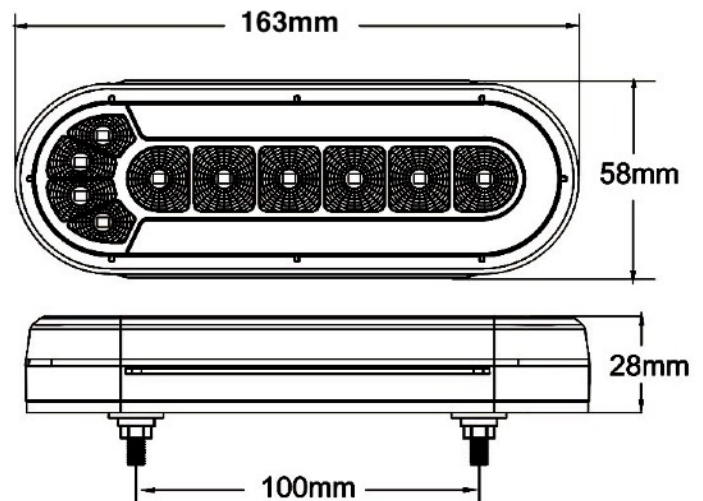
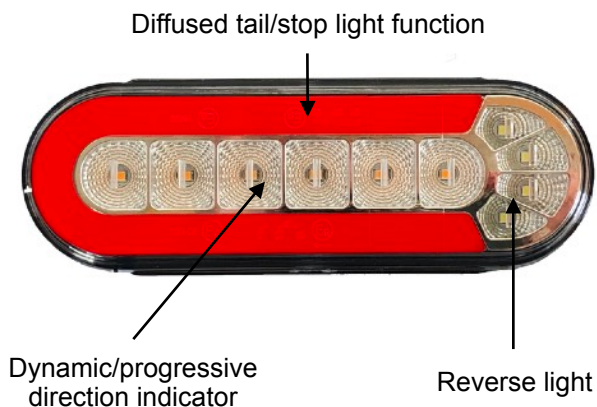
LED SIGNAL LAMP 163x58mm - 4 functions

- Diffused tail/stop light
- Dynamic/progressive direction indicator



SPECIFICATIONS:

- Voltage: 12-24V
- Functions: stop / tail / direction ind. / reverse
- Installation: 2x screw
- Approval: ECE R6, R7, R23 / EMC R10 / RoHS
- Ingress protection (IP rating): IP 67
- Operating temperature: -40°C - +65°C
- Connection: cable, 230mm



PART NO.	FUNCTIONS	NOMINAL POWER	LED	APPROVALS	INGRESS PROTECTION
ESL57210	TAIL (diffused) STOP (diffused) DIRECTION (dynamic) REVERSE	1W 6,1W 2,9W 2,4W	21pcs 21pcs 6pcs 4pcs	ECE R7 / EMC R10 ECE R7 / EMC R10 ECE R6 / EMC R10 ECE R23 / EMC R10	IP67