

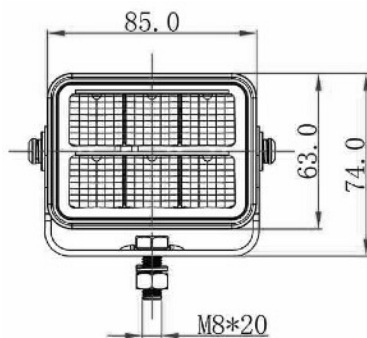
# RF-LED WORK LIGHTS - from 30W to 60W

## SPECIFICATIONS:

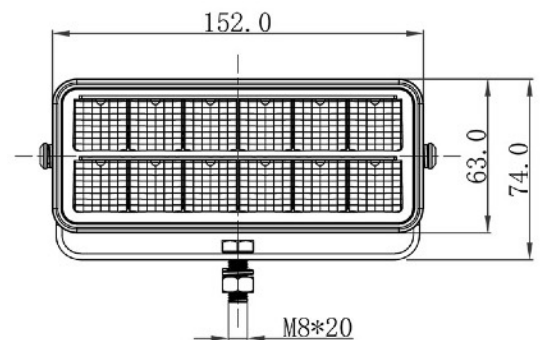
- Voltage: 10-32V
- Nominal power: 30W / 45W / 60W
- Beam/function: flood beam / reverse light
- Housing: die-cast aluminium
- Installation: screw
- Approvals: CISPR 25 Class 3, ECE R10  
ECE R23 → R148 (new)
- Ingress protection (IP rating): IP67
- Connection: Deutsch connector



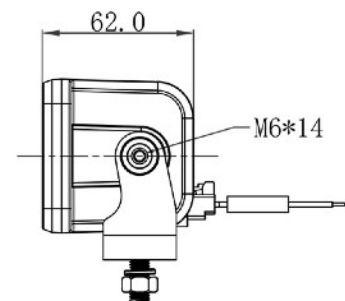
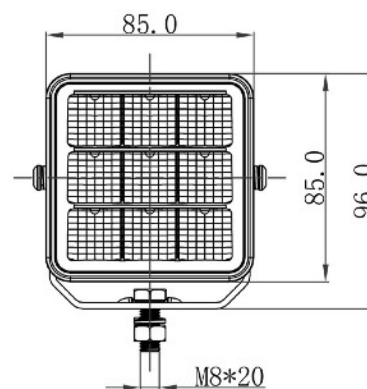
**EWL583230**



**EWL583260**



**EWL583245**



PART NO.	VOLTAGE	NOMINAL POWER	LUMEN (effective)	DIMENSIONS	FUNCTION	APPROVALS	IP
EWL583230	10-32V	30W (6x 5W Osram LED)	2575Lm	85x63x62mm	reverse light	ECE R10	IP67
EWL583245		45W (9x 5W Osram LED)	3544Lm	85x85x62mm		ECE R10, R23→R148	
EWL583260		60W (12x 5W Osram LED)	3931Lm	152x63x62mm			