

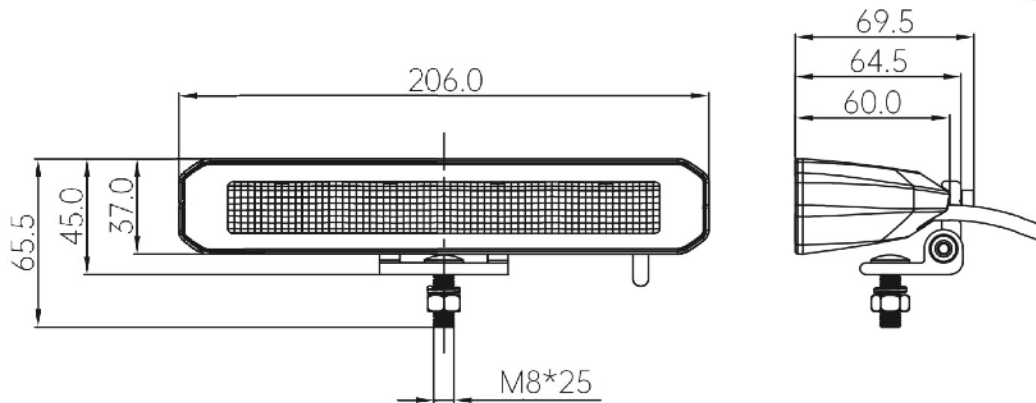
WORK LIGHT LED 40-120W - two types of bracket

SPECIFICATIONS

- Voltage: 10-32V
- Nominal power: 40W (4x 10W LED)
- Beam: ultra wide beam or spot beam
- Lumen: 3680Lm (effective 2465Lm)
- Housing: die-cast aluminium
- Installation: two types of brackets*
- Approvals: ECE R10
- Ingress protection (IP rating): IP67
- Connection: cable with Deutsch connector



- *two types of brackets for different mounting methods:
- adjustable bracket on the back
 - side bracket



PART NO.	VOLTAGE	NOMINAL POWER	BEAM	LENGTH	APPROVALS	IP
EWL586040	10-32V	40W (4x10W LED)	FLOOD	206mm	ECE R10	IP67
EWL586080		80W (8x10W LED)	FLOOD	374mm		
EWL586180			SPOT			
EWL5860120		120W (12x10W LED)	FLOOD	544mm		
EWL5861120			SPOT			