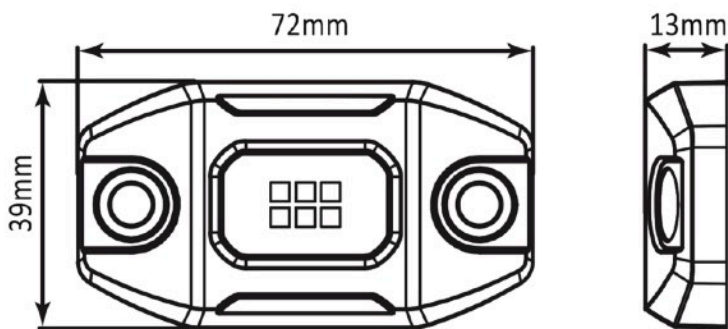


WORK LIGHT LED 9W “rock light”

SPECIFICATIONS

- Voltage: 10-30V
- Nominal power: 9W (6x 1,5W LED)
- Lumen: 945Lm
- Beam: wide beam
- Housing: die-cast aluminium
- Installation: 2x screw
included rubber pad with 30° slope
- Ingress protection (IP rating): IP68
- Omologazione: ECE R10(EMC), CE RoHS
- Connection: cable 400mm



A rubber pad for installation with a 30° inclination relative to the surface is included.



PART NO.	VOLTAGE	NOMINAL POWER	LUMEN	BEAM	APPROVALS	IP
EWL644109	10-30V	9W (6x 1,5W LED) 0,48A @ 13,5V	945Lm	wide beam	ECE R10 (EMC) CE RoHS	IP68