

LED DIRECTIONAL WARNING LIGHT - 142x30mm

SPECIFICATIONS

- Voltage: 10-30V
- Installation: 2x screw (L-shaped bracket)
- Ingress protection (IP rating): IP67
- Approval: ECE R65 / EMC
- Warranty: 3-years
- Operating temperature: from -40°C to +65°C
- Connection: cable 300mm
- 10 flash patterns*

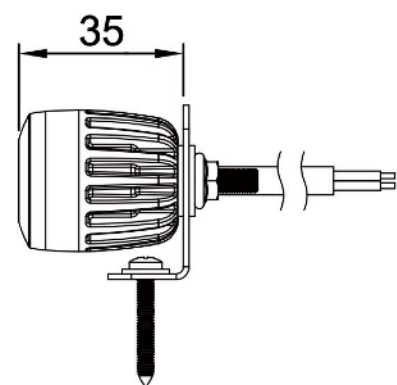
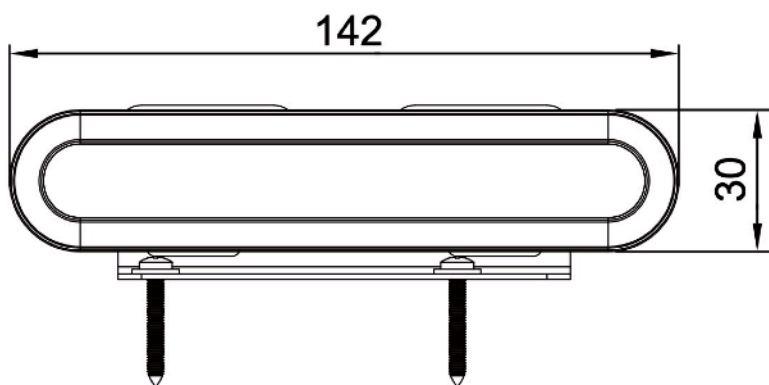


L-shaped bracket included



*FLASH PATTERNS

	PATTERN	FPM (flashes per minute)
1	single	100
2	quad (left-right split)	75
3	quint (left-right split)	60
4	triple (left-right split)	100
5	mega	1200
6	double (left-right split)	75
7	triple	100
8	single (ECE) 1	93
9	single (ECE) 2	146
10	combine	112



PART NUMBER	COLOR	VOLTAGE	LEDs	INSTALLATION	CONNECTION	APPROVALS	IP
ELEX612610		10-30V	6x 3W LED	L-shaped bracket 2x screw	cable 300mm	ECE R65 EMC	IP67