

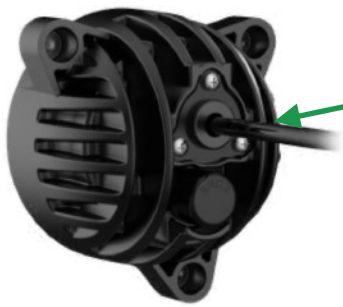
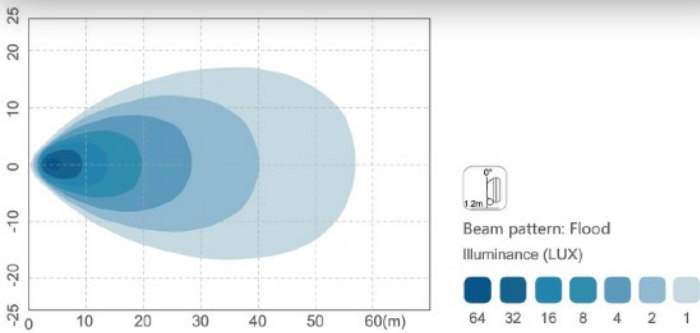
WORK LIGHT LED 20W - built-in

SPECIFICATIONS:

- Voltage: 12-24V
- Nominal power: 20W (5x 5W LED)
- With Vent filter
- Lumen (effective): 1650Lm
- Beam: flood beam
- Housing: thermo-conductive plastic
- Installation: built-in / 3x screw
- Approvals: ECE R10 CISPR25 Class 3
- Ingress protection (IP rating): IP67, IP69K
- Operating temperature: from -40°C to +65°C
- Warranty: 3 years
- Connection: Deutsch (DT) connector



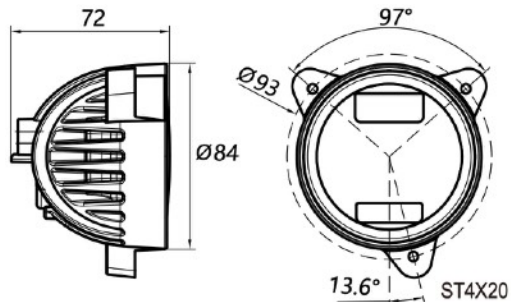
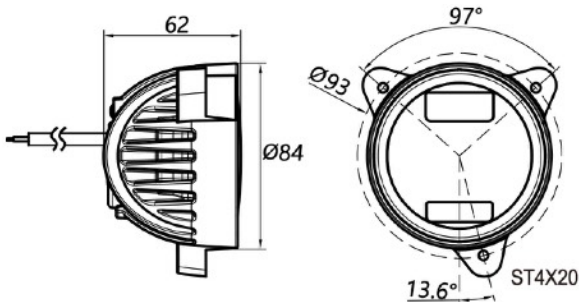
**ECE
R10**



Version with
500mm
cable



Version with 2-pole
Deutsch connector
on the housing



PART NO.	VOLTAGE	NOMINAL POWER	LUMEN (effective)	CONNECTION	INGRESS PROTECTION	APPROVALS
EWLX3020IN	12-24V	20W (4x5W LED)	1650Lm	cable 500mm	IP67 IP69K	ECE R10 CISPR25 Class 3
				connector DT		